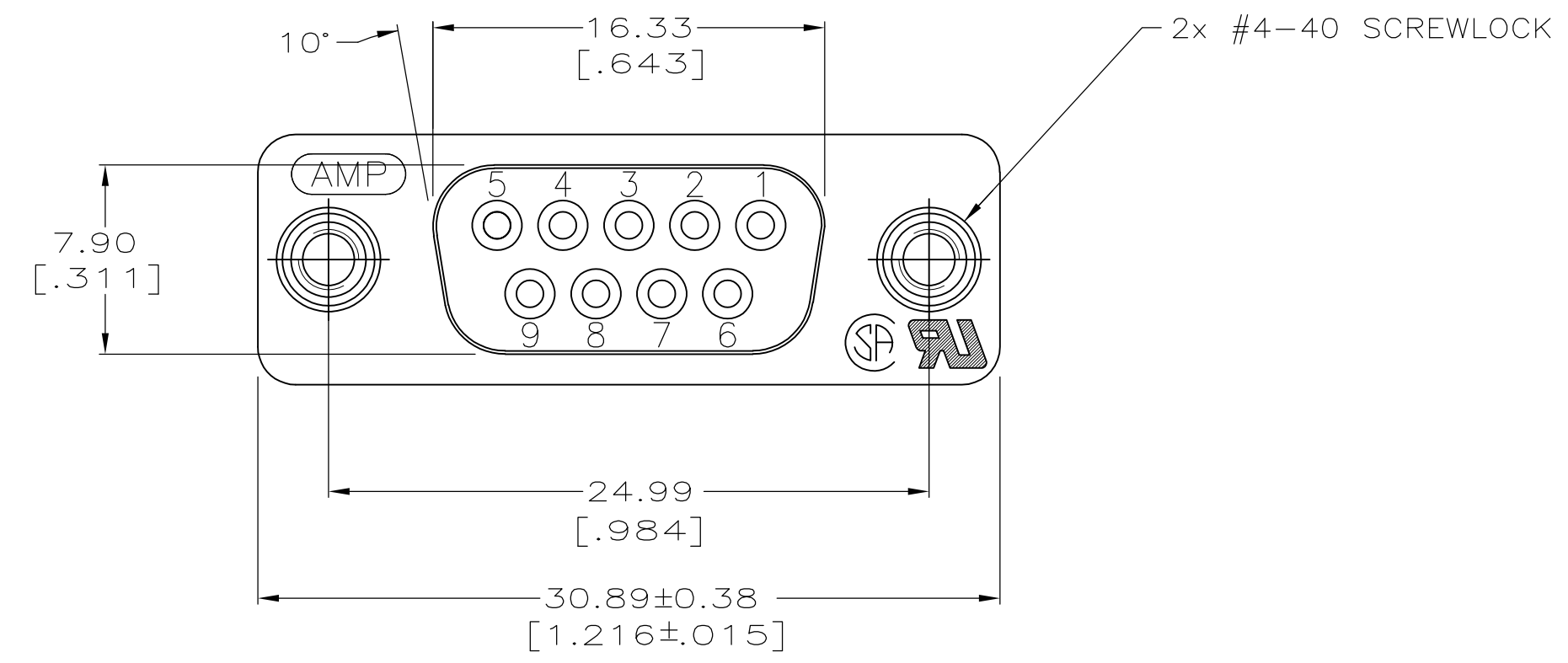
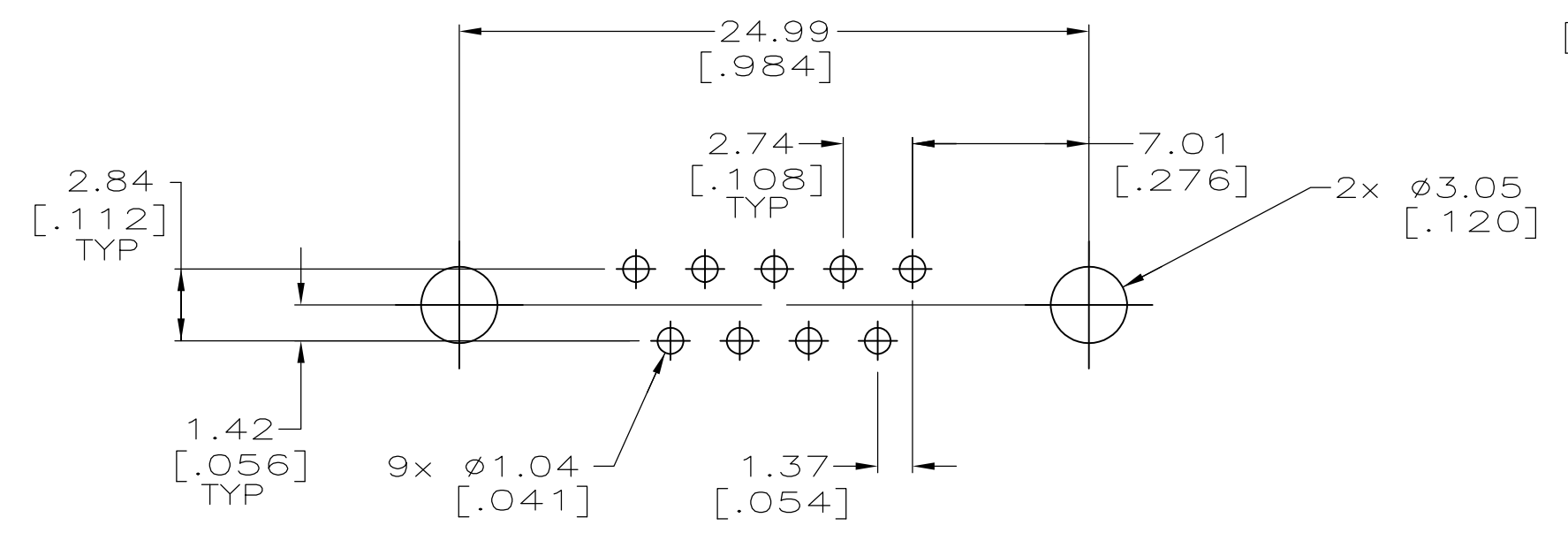
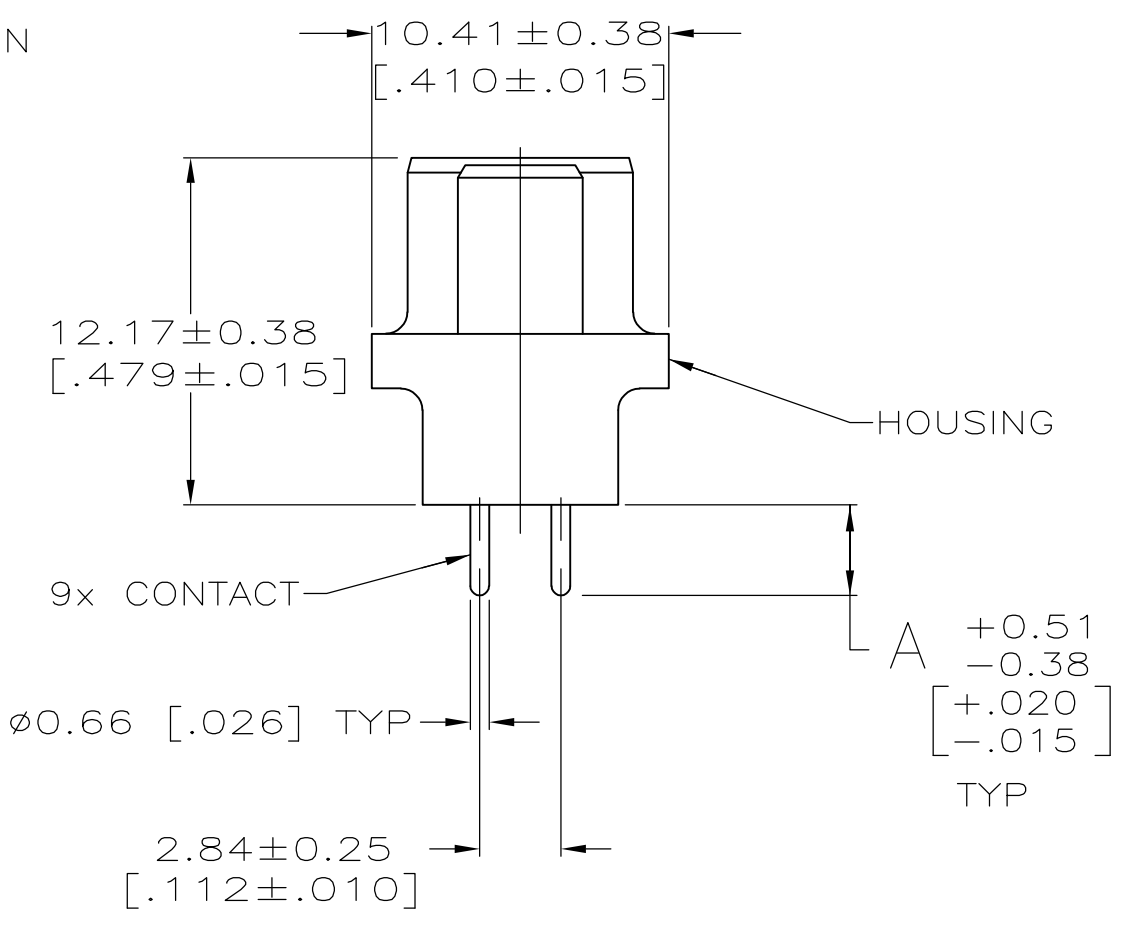
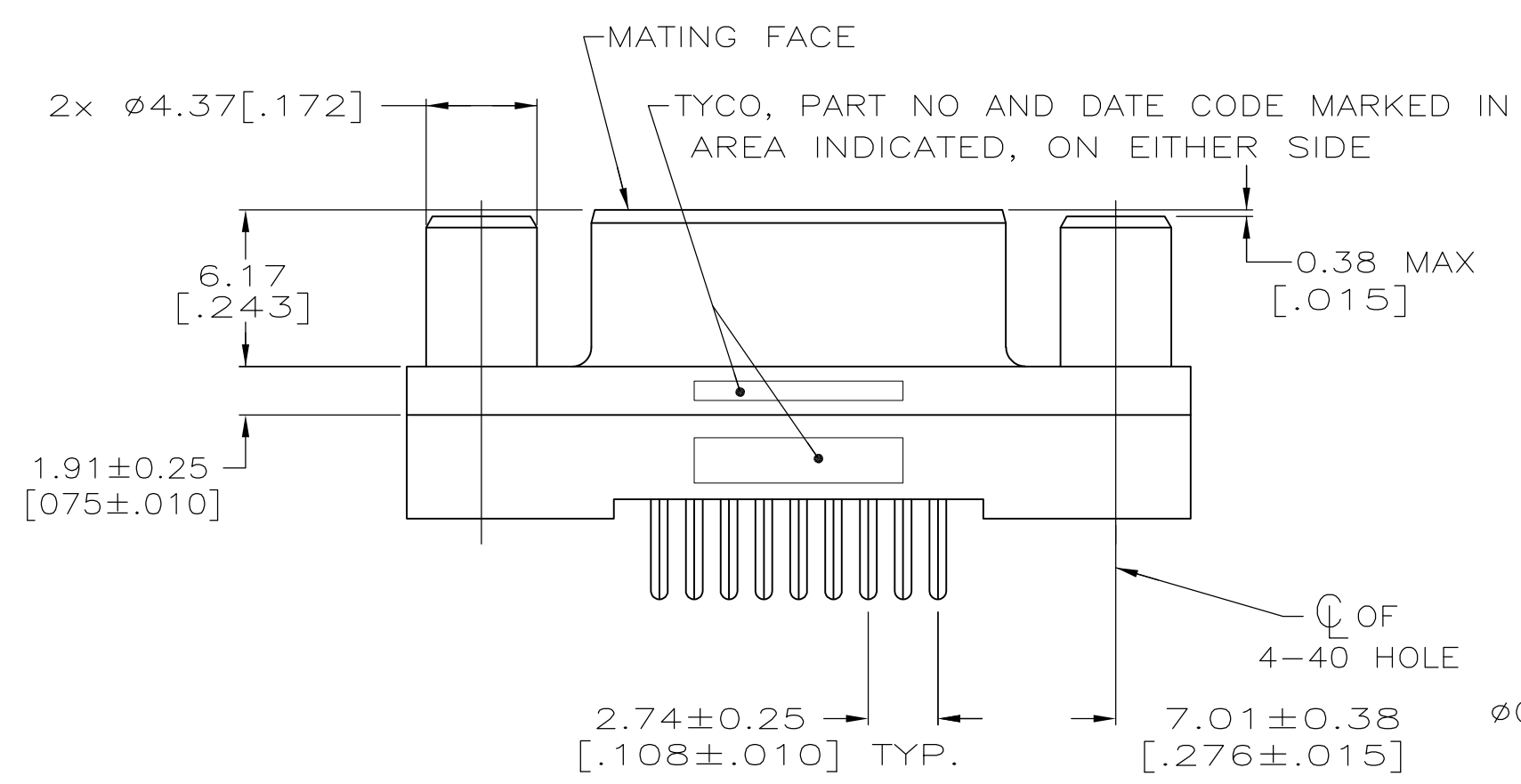


LOC	DIST	REVISIONS			
P	LTR	DESCRIPTION	DATE	OWN	APVD
GP	00	P	REVISED PER ECO-11-004835	11MAR11	RK HMR



- 1 HOUSING: BLACK POLYESTER, UL 94V-0 RATED. CONTACTS: PHOSPHOR BRONZE. SCREWLOCKS: BRASS.
- 2 CONTACTS: SEE TABLE. SCREWLOCKS: 1.27µm [.000050] MIN NICKEL OVER COPPER FLASH.
- 3 GOLD FLASH FOR A LENGTH OF 2.54 [.100] MIN FROM MATING END, 2.54µm [.000100] MIN TIN ON OPPOSITE END, ALL OVER 1.27µm [.000050] MIN NICKEL.
- 4 0.76µm [.000030] MIN GOLD FOR A LENGTH OF 2.54 [.100] MIN FROM MATING END, 2.54µm [.000100] MIN TIN ON OPPOSITE END, ALL OVER 1.27µm [.000050] MIN NICKEL.



RECOMMENDED PC BOARD MOUNTING DIMENSIONS

**COPYRIGHT 2005  
TE CONNECTIVITY CORP  
ALL RIGHTS RESERVED**

4.32 [.170]	4	5745076-6
3.18 [.125]	4	5745076-4
3.18 [.125]	3	5745076-3
A	CONTACT FINISH	PART NO

THIS DRAWING IS A CONTROLLED DOCUMENT.		DWN	13SEP05	STE		TE Connectivity	
DIMENSIONS: mm[INCHES]		CHK	13SEP05	NAME			
TOLERANCES UNLESS OTHERWISE SPECIFIED:		APVD	13SEP05	PRODUCT SPEC			
0 PLC	± -	M. WALMSLEY		108-40025			
1 PLC	± -	APPLICATION SPEC		-			
2 PLC	± 0.13 [.005]	SIZE		CAGE CODE	DRAWING NO	RESTRICTED TO	
3 PLC	± -	A2		00779	5745076	-	
4 PLC	± -	WEIGHT		-		-	
ANGLES	± - 2'	CUSTOMER DRAWING		SCALE	4:1	SHEET	1 OF 1
FINISH	2	-		REV	P	-	